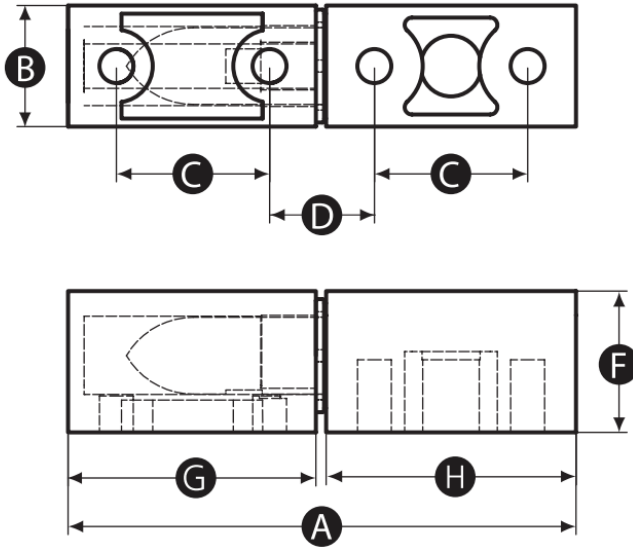


## G10HI Die Cast Zinc In-line Lift-Off Hinge

### Material

- Die cast zinc, black powder coated



Part No.	A	B	C	D	F	G	H	Thread Size	Min. Thread Depth
G10HI-15766S	63	15	19	13	17.5	30.75	31	M5	4.5

Part No.	Radial Load	Axial Load	Recommended Tightening Torque	Approx. Shear Force Per Screw
G10HI-15766S	400 N	1,150 N	1.5 N.m	0.28 kN

### Mounting options

- A** Install hinges with matching vertical orientation to enable quick, easy and safe removal of doors without the use of tools.
- B** Install hinges with opposing vertical orientation to enable doors to be permanently mounted.

